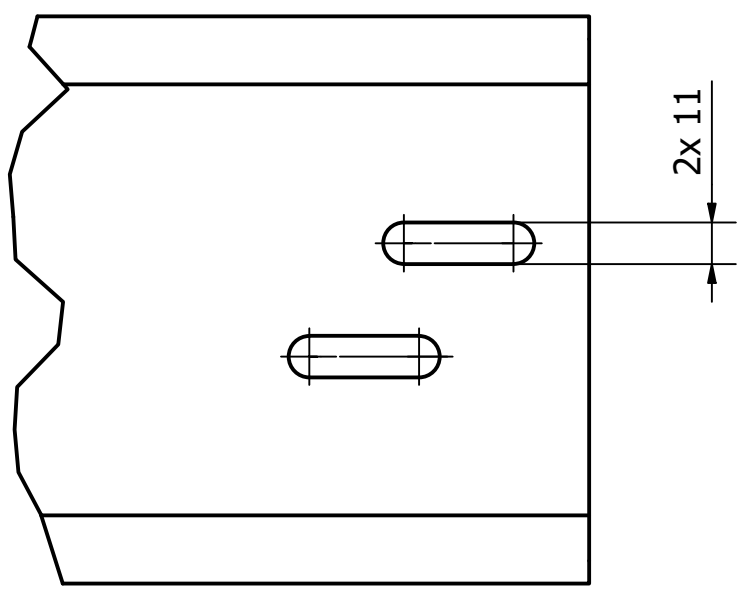
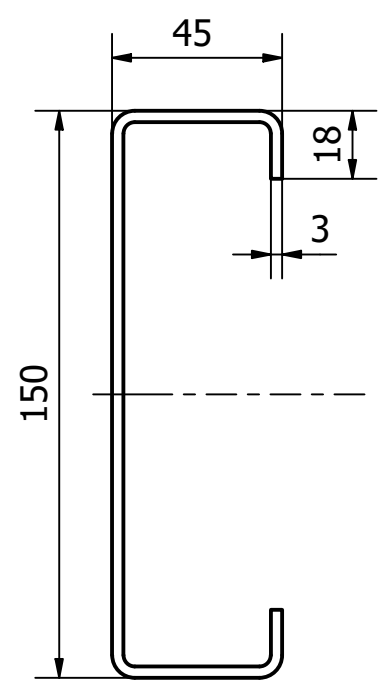


A ( 1 : 2 )



B ( 1 : 2 )



Designed by	Material	Weight	Date	ISO (E)
			24.10.2023	
<b>KENO Sp. z o.o.</b> Ul. Daszyńskiego 609, 44-151 Gliwice NIP PL6312671983		<b>K-33-02 Podpora niska 150x45x18x3</b>	Format <b>A3</b>	Dim without to ISO2768-M ISO13920-B
		K-33-02-GS-52-U-U-D_V1.idw	Scale <b>1 : 10</b>	Sheet <b>1 / 1</b>

© Copyright 2023 Keno sp. z o.o., all rights reserved. All rights, patent or patentable designs or invention are reserved. The document may not be copied (in whole or in part), used or manufacture or disclosed to others without prior written consent of Keno sp. z o.o.