

CHARACTERISTIC

Keno sp.z o.o. is pleased to present you a solution for use on flat roofs with the use of medium mounting triangles, designed for mounting modules on the long side.



- EASY AND QUICK INSTALLATION
- POSSIBILITY OF CHANGING THE ANGLE OF THE MODULES
- MOUNTING MODULES ON THE LONG SIDE

[SEE CATALOG](#)



DESCRIPTION OF CONSTRUCTION ON A FLAT ROOF - K-07-M

Keno sp.z o.o. provides a 10-year warranty on the above structure. The structure is assembled by screwing the K-17 double-threaded bolt into the wooden rafters, available in three lengths, or K-43 for steel structures, which are available in two lengths (see table below). In this case, the required minimum hole depth should be 70mm. The structures can be used for various roof sheaths, which makes it multi-purpose and compatible with all assembly profiles.

The structure allows the modules to be installed vertically.

FIG. 1,2	INSTALLATION ON THE LONG SIDE (VERTICAL ARRANGEMENT))	MEDIUM ASSEMBLY TRIANGLE (K-07-S-15N)	ANGLE 15°
		MOUNTING TRIANGLE MEDIUM ADJUSTABLE (K-07-S-RN)	ANGLE 20-35°

TECHNICAL DRAWING

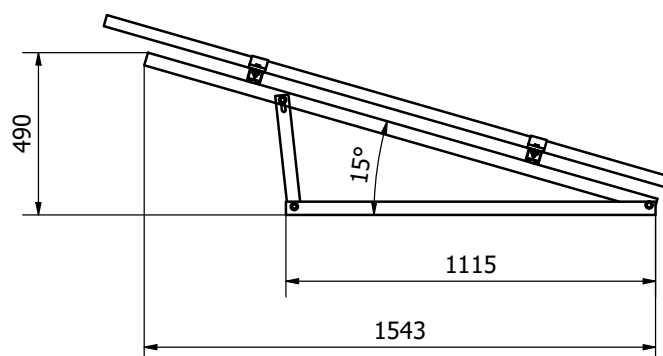


FIG..1 Dimension of -07-S-15N

FLAT ROOF CONSTRUCTION - K-07-S

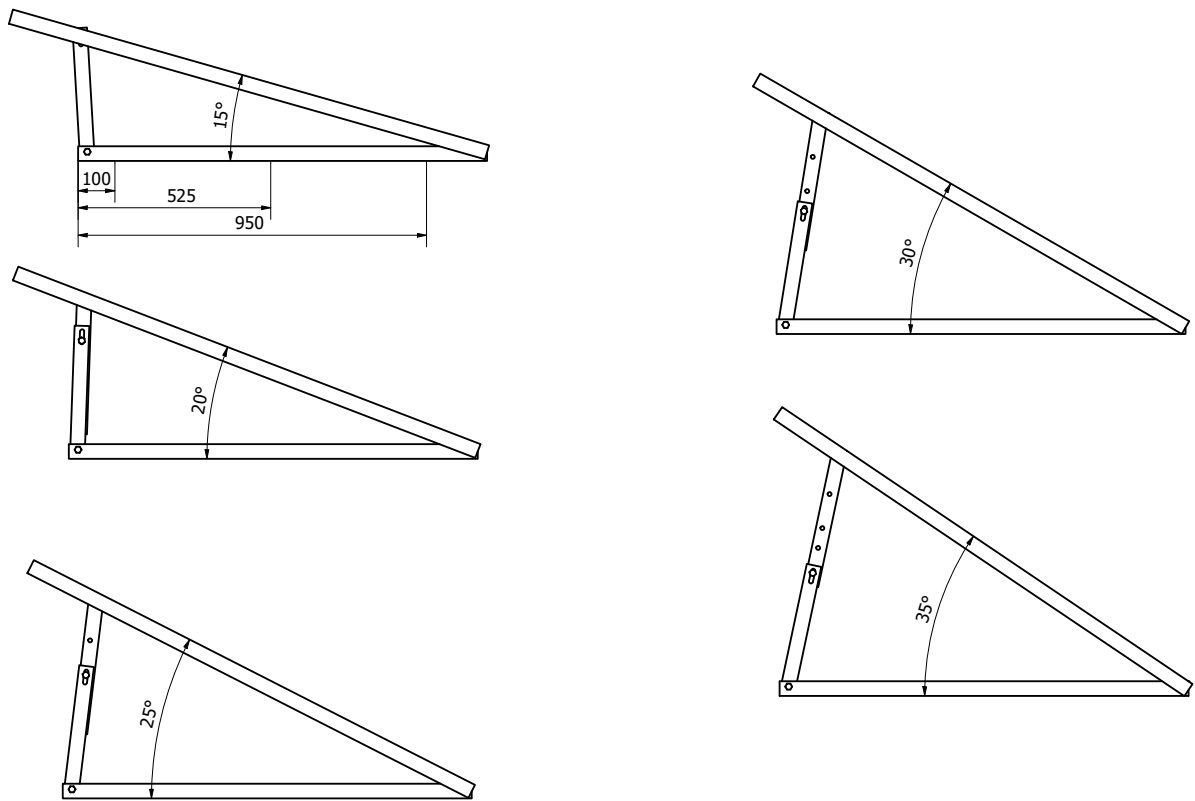


Fig. 1 K-07-M-RN structure dimensions depending on the angle used