

CHARACTERISTIC

Keno sp.z o.o. is pleased to present you a solution for use on flat roofs with the use of assembly triangles intended for the assembly of modules with bifacial technology.

- EASY AND QUICK INSTALLATION
- POSSIBILITY OF ADJUSTING THE ANGLE OF THE MODULES
- MOUNTING OF MODULES IN HORIZONTAL ARRANGEMENT WITH CLAMPS ON THE LONG SIDE
- CONSTRUCTION DEDICATED FOR BIFACIAL MODULES

[SEE
CATALOG](#)



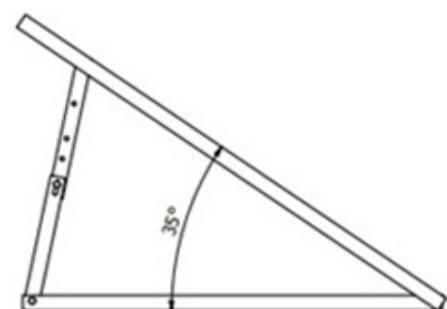
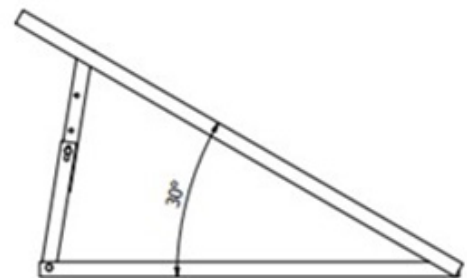
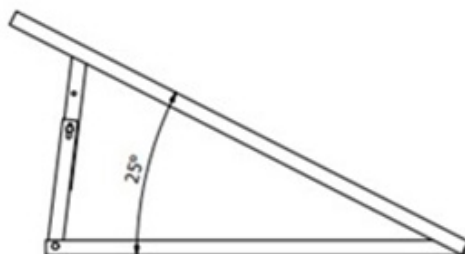
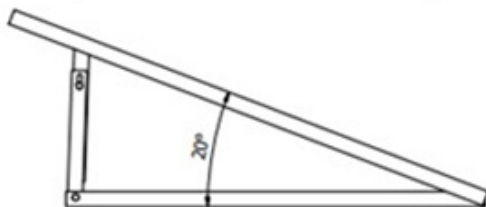
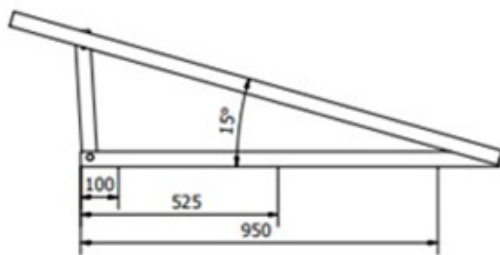
DESCRIPTION OF THE CONSTRUCTION WITH THE USE OF ASSEMBLY TRIANGLES

K-07-S-RN-BF

Keno sp.z o.o. provides a 10-year warranty on the above structure. The structure is assembled by loading the K-58-1 (Figures 1, 2) and K-58-4 (Figures 2, 4) mounting brackets. The technical department of Keno sp.z o.o., at the request of the client, can calculate the required minimum ballast. For this purpose, specific information on the investment is needed (see table 1). The ballast structure can be used on roofs where the angle of inclination does not exceed 5° and the height of the building does not exceed 15 m.

Keno sp.z o.o. ballast structures they allow modules to be installed only on the long side.

TECHNICAL DRAWING



K-07-SR-BF