

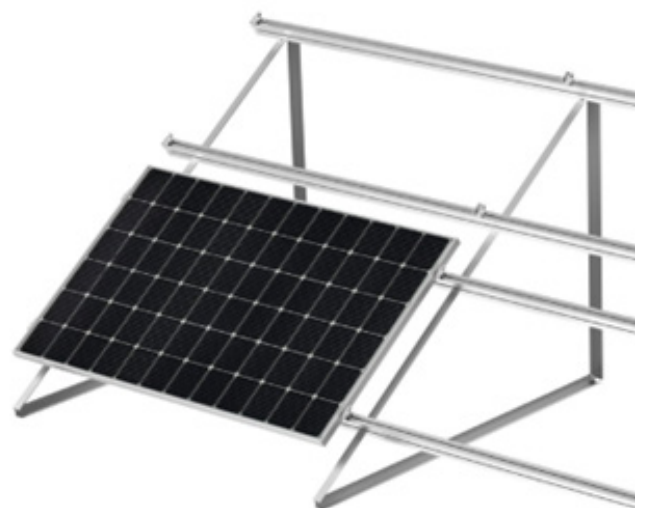
## CHARACTERISTIC

Keno sp.z o.o. is pleased to present you a solution dedicated to installations mounted on the ground with the use of large assembly triangles.



- POSSIBILITY OF MOUNTING MODULES VERTICAL AND LEVEL
- ASSEMBLY OF TRIANGLES TO THE FOUNDATION

[SEE CATALOG](#)



## DESCRIPTION OF A FREE-STANDING CONSTRUCTION ON THE GROUND

Keno sp.z o.o. provides a 10-year warranty on the above structure. The structure allows the modules to be installed in a system of 2 rows horizontally and 1 vertically, thanks to the large K-07-D assembly triangles. The design is compatible with all mounting profiles available from Keno sp.z o.o.

## TECHNICAL DRAWINGS

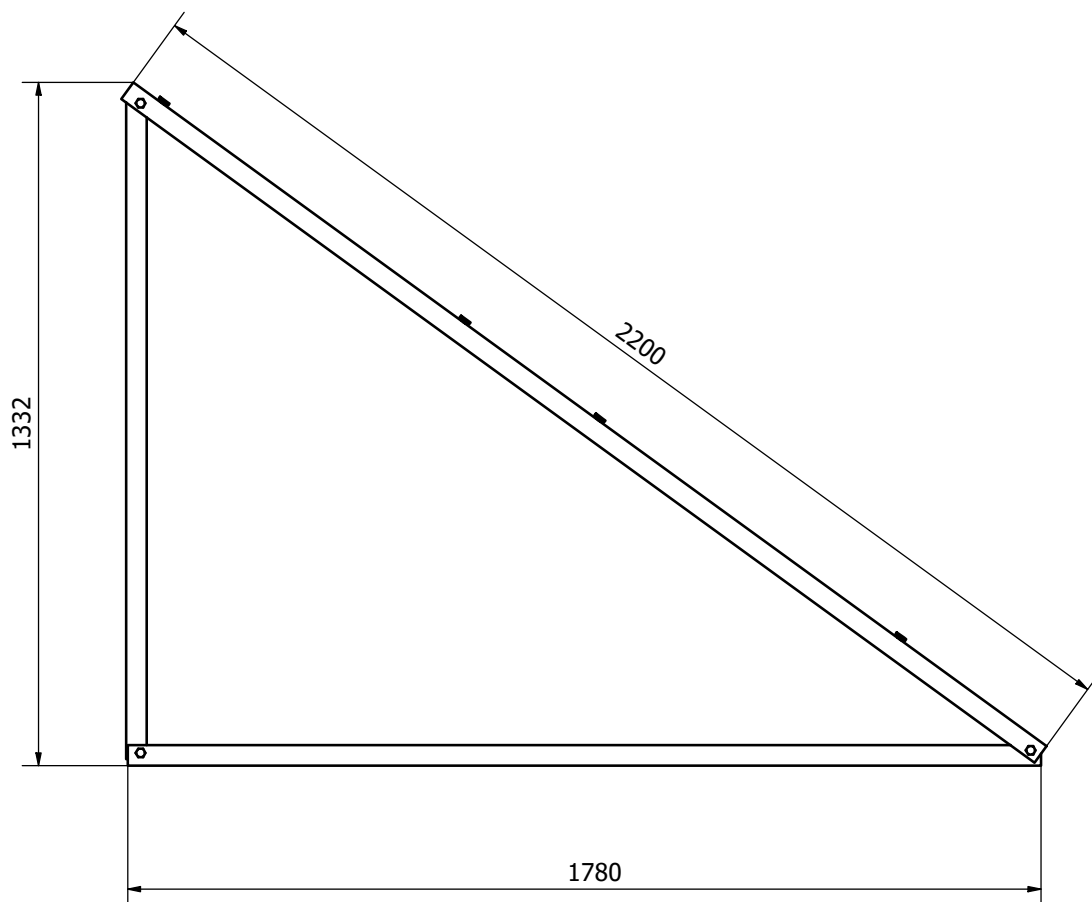


Fig. 1 Dimensions of the K-07-D-00 element